



UGP100074

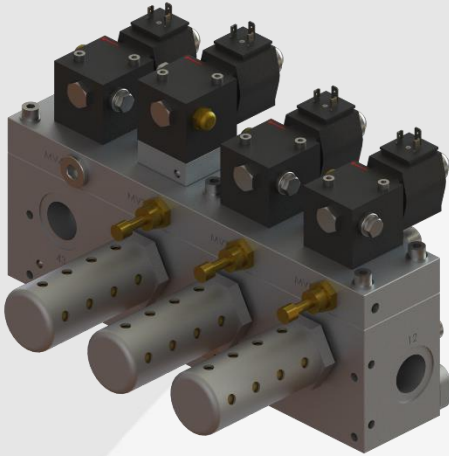
UNITEQ BV

Oude Graaf 18, 6002 NL, Netherlands
T. +31 495 52 45 65
E. sales@uniteq.nl

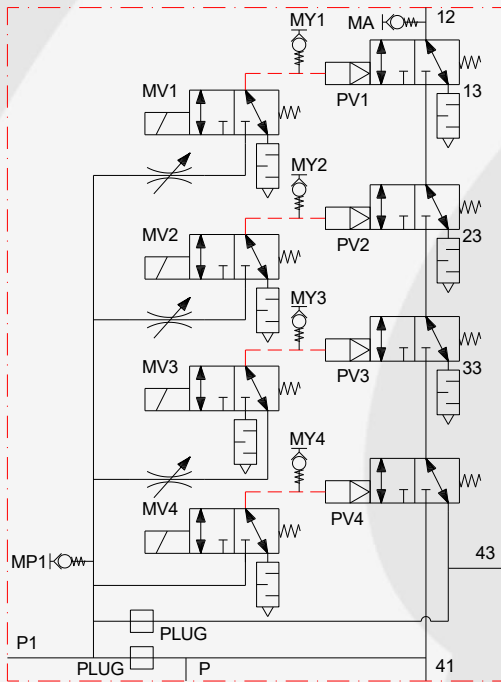
Version 2022.v01_EN

Pneumatic manifold G1-1oo3-MO 2xNC 1xNO-O/C 1xNC

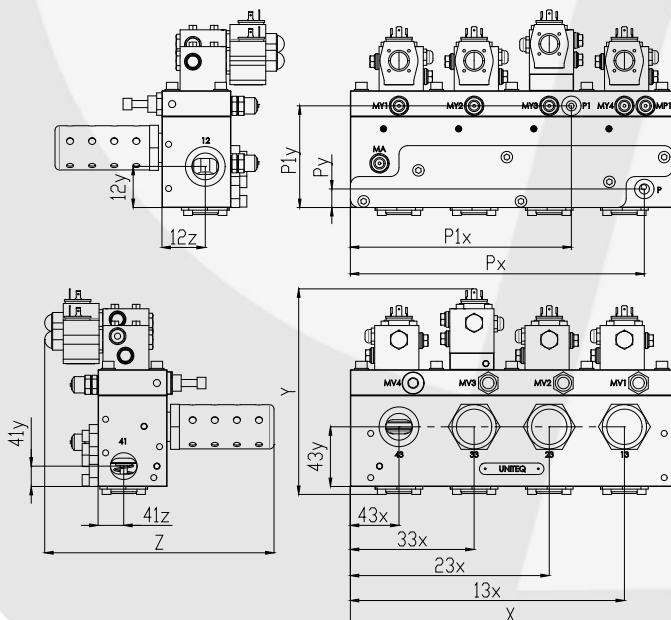
Image



Symbol



Drawing



Technical features

- Suitable for single acting (SA) actuator
- Fail safe close/open function, 1oo3 (2x NC, 1xNO, power signal loss)
- Modulating (MO 2x NC, 1xNO) function
- Quick open/close (O/C 1x NC) function
- SIL3 certified according to IEC 61508
- Suitable for EN1295-10 (TRD421)
- Internal connection prepared for lock-up function
- Operation pressure 0...10 bar (0...145psi)
- Operation temperature -25°C -13°F / +70°C +158°F
- Supplied medium air, filtered non-lubricated and dry
- Equipped with prepared lock-up valve connection (P/P1)
- ATEX implementation suitable

Technical data

Sizes & selection

Port size			Max flow	Model	
12/41/43	13/23/33	P/P1	ltr/min	CV (kg)	
G1	G1	G1/4	8.000	...	14 UGP100066

Configuration

Function MO (2x NC "MV1/MV2" 1xNO "MV3")
O/C (1x NC "MV4")

Connections

Port (41) supply quick open/close
 Port (P/P1) external supply solenoid valve
 Port (12) supply to actuating
 Port (13/23/33) release
 Port (43) supply modulating
 MA/MY/MP1 measurement connection

Electric

Power consumption solenoid valve (MV1/MV2/MV3/MV4):
 16.9 W, 24 VDC, 703 mA, IP65.
 17.3 VA 230 VAC, 75 mA IP67.

Order codes:

UGP100074-24VDC or UGP100074-230VAC

Sizes

Dimensions

12	41	43	P	P1	MA	MY
G1	G1	G1	G1/4	G1/4	G1/4	G1/4
MP1	PLUG	12z	12y	43y	13x	23x
G1/4	G1/8	49	47	67	310	225
33x	P1y	Py	P1x	Px	41z	41y
140	117	21	250	332	29	23
43x	Z	X	Y			
55	253	365	202			

Support connection manifold

4 times holes M8, depth 12mm

Material

Housing Aluminium anodize
 Internal parts Stainless steel, Brass, POM
 Seals NBR / PUR

